

GASSNER.

STAINLESS LUXURY IN POOL

History

1970

Foundation by
Johann Gassner

1995

New location
Neuzeug, Austria

1998

Production of
first stainless steel pool

2005

Enlargement
production (2. hall)

2004

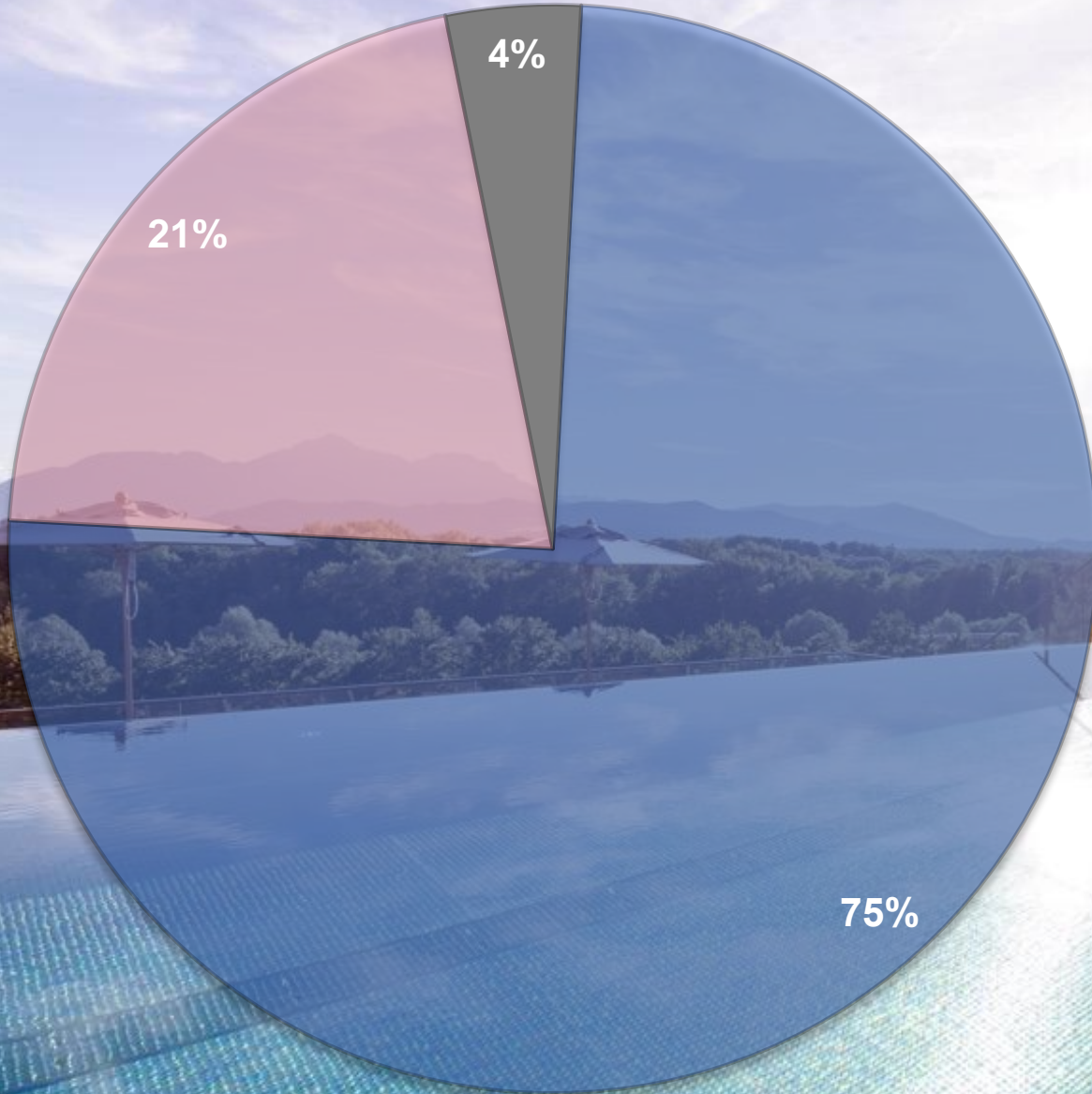
Full-range pool retailer

2022

Takeover by




INTERESTING AND
VARIED COMBINATION OF
DIFFERENT AREAS,
THIS MAKES US MORE FLEXIBLE AND
MUCH MORE INDEPENDENT OF
SEASONAL FLUCTUATION



 **POOL**  **CONTRACT**  **OTHERS**

WHY GASSNER ?

Free-standing pool

- ✓ No need for concrete tub or supporting walls and thus no breakthroughs (interfaces)
- ✓ As standard with 6 cm insulation on floor and walls

Installation in concrete tub

- ✓ Despite concrete walls, static stiffening of pool-walls, only their load is transmitted to the wall
- ✓ Insulation directly on the pool with glue and holders, therefore hardly any formation of condensate
- ✓ Nice flatness of the walls during and after water filling due to supporting construction



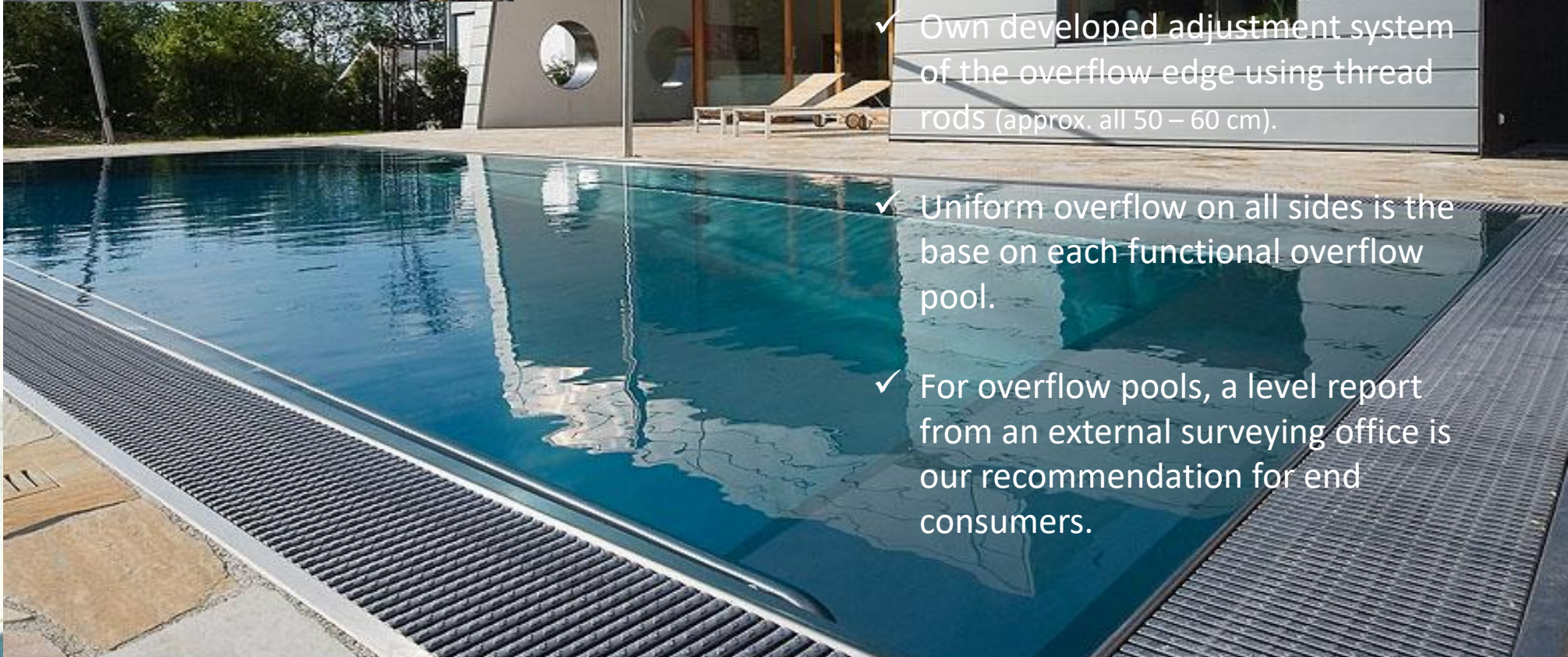
Skimmerpool

- ✓ Gassner stainless steel skimmer (firmly welded and permanently leak-proof)
- ✓ Unique high water-level of approx. 5 cm (waterline until top edge)
Skimmer-top edge minus 35 mm – according to shape and floor covering
- ✓ Skimmer-dirt-basket removeable from water side → no revisions
- ✓ Skimmer width 235 mm or 400 mm



Overflow pool

- ✓ Own developed adjustment system of the overflow edge using thread rods (approx. all 50 – 60 cm).
- ✓ Uniform overflow on all sides is the base on each functional overflow pool.
- ✓ For overflow pools, a level report from an external surveying office is our recommendation for end consumers.



Nubs

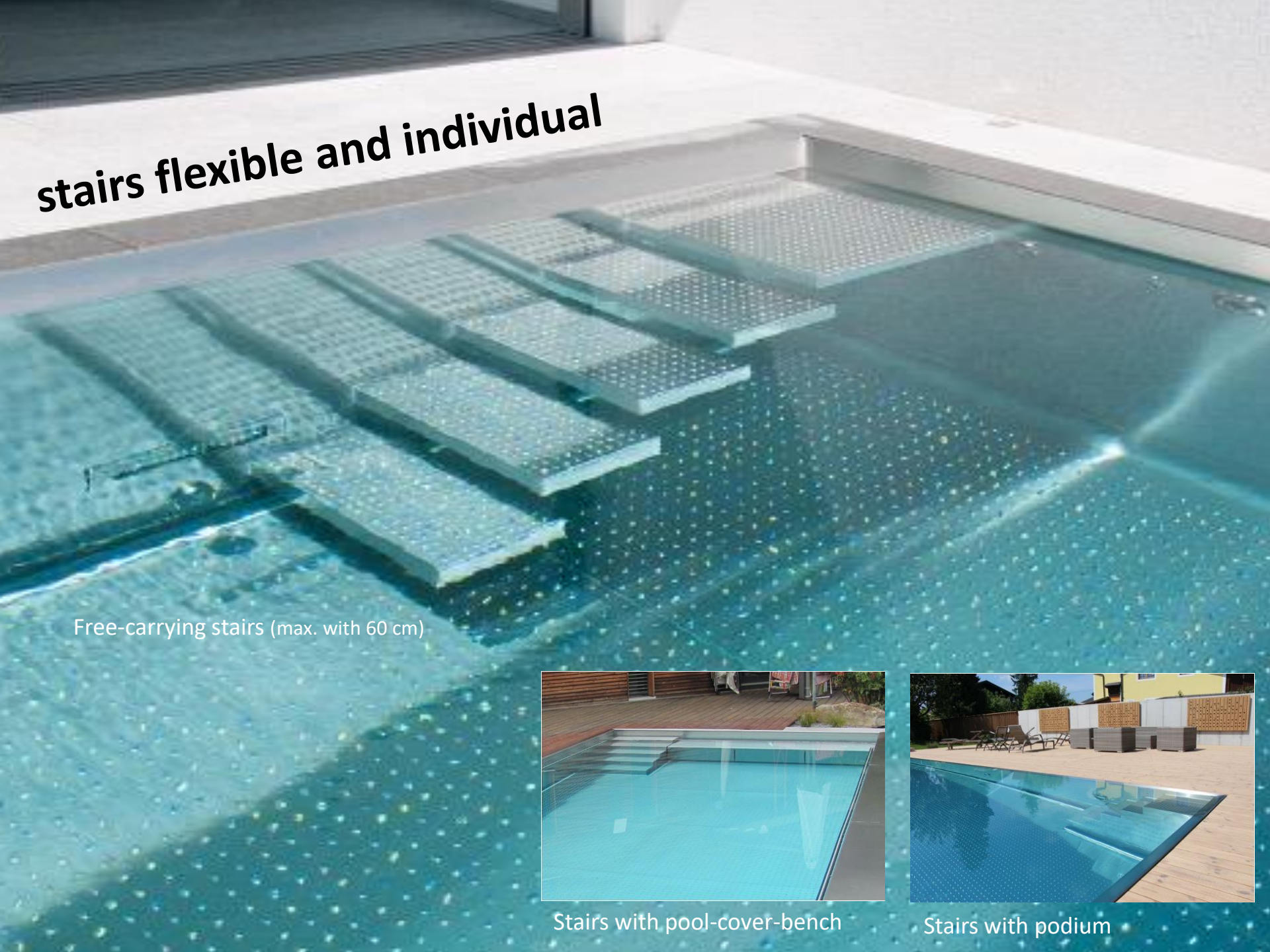
- ✓ Nubs of the pool floor is adapted to the shape of the pool
- ✓ Same distance to walls and stairs
- ✓ All floor parts are including nubs as a standard
(more nice optic, smaller scratches and welding lines are getting less visible)
- ✓ Nubs are according to standards and guarantee best possible safety for not slipping

Round transition

- ✓ Between floor and wall → better flow in terms of dirt or deposits, no chance to settle and forming streaks
- ✓ 100% cleanable transition, additional support for all kind of pool cleaners, which climb up walls through reducing the distance in the non-existing edge of the pool.



stairs flexible and individual



Free-carrying stairs (max. with 60 cm)



Stairs in the corner



Public stairs
(incl. Step marking and handrail)



Stairs with pool-cover-bench

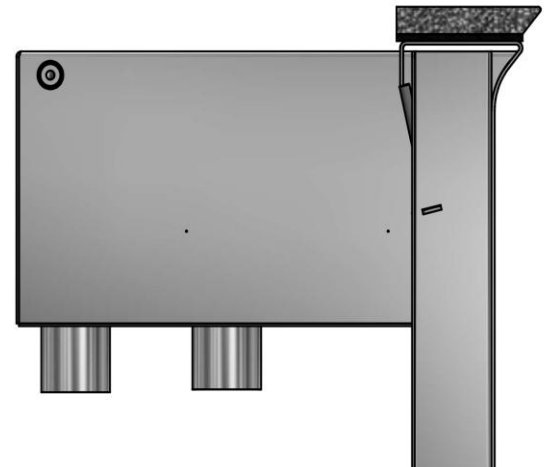
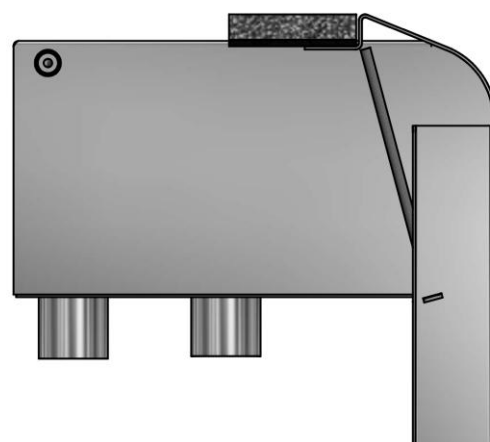
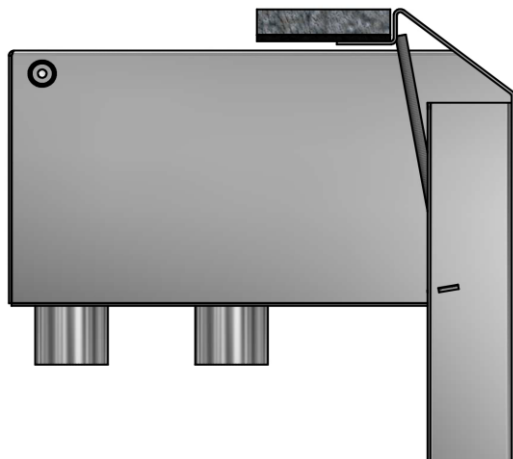
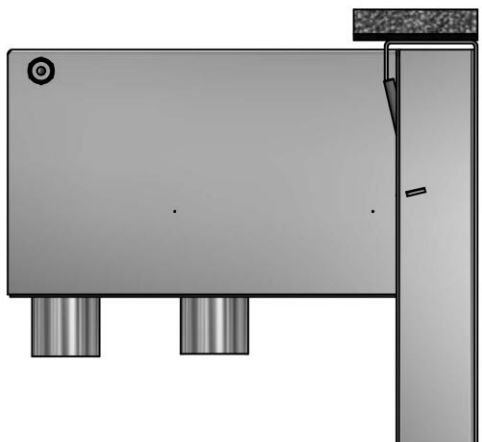
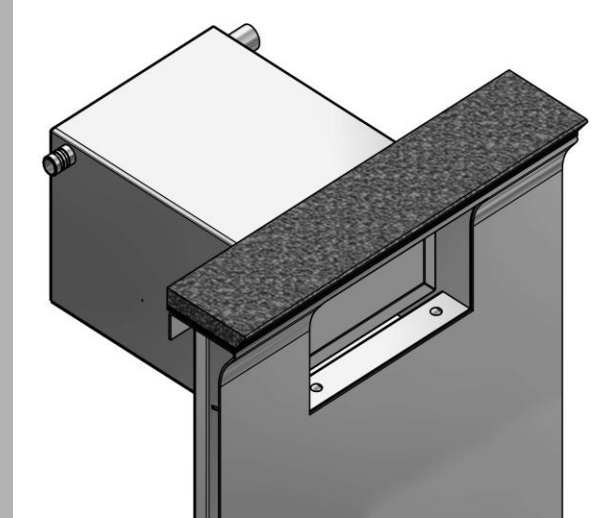
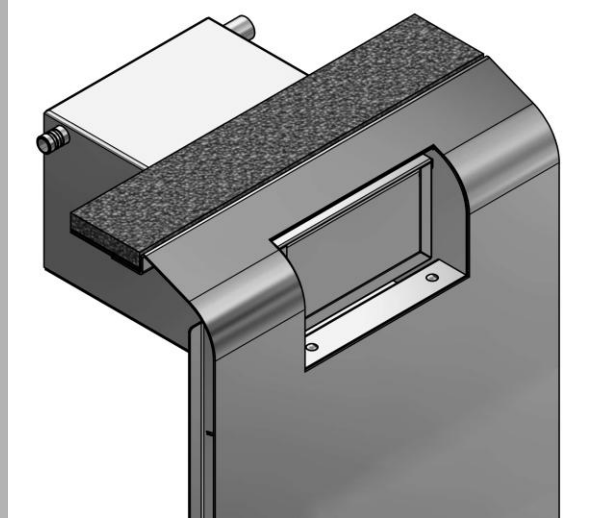
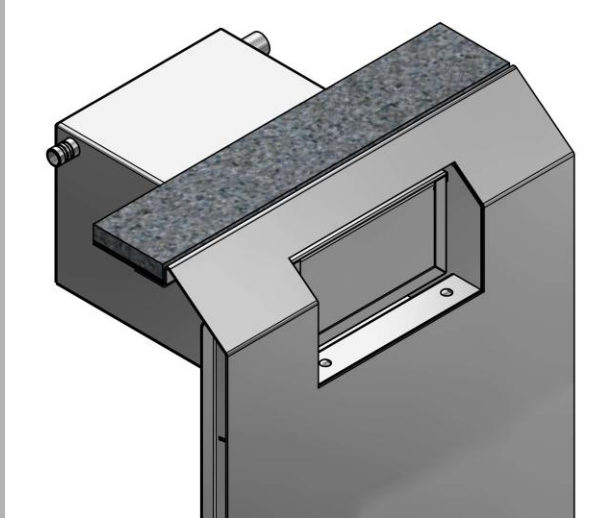
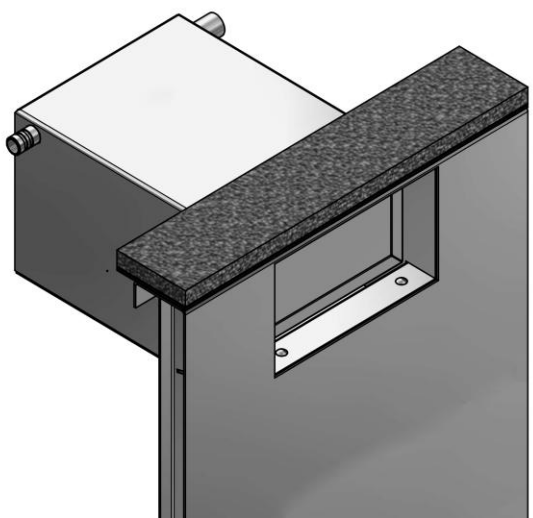


Stairs with podium



Custom made stairs

Individual ending (Skimmer)



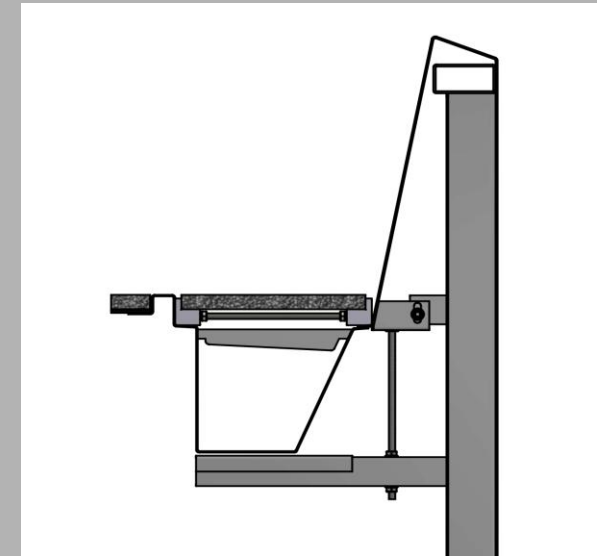
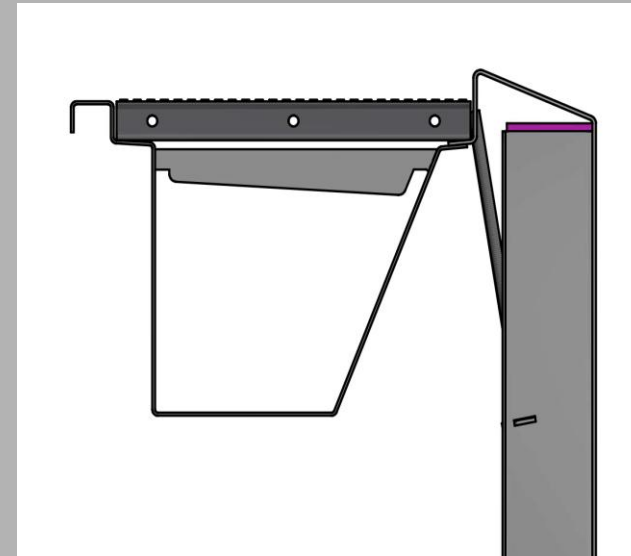
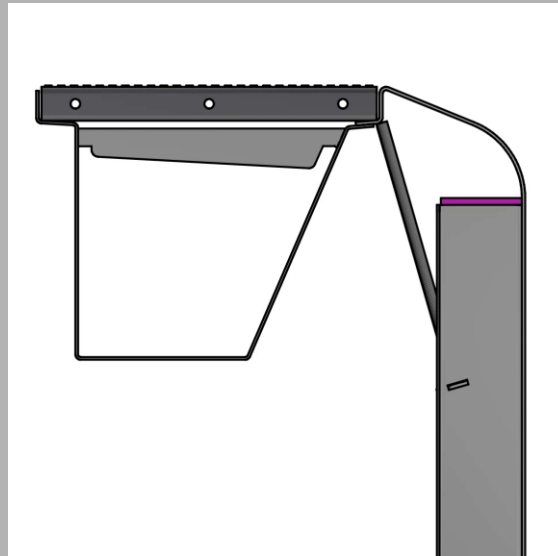
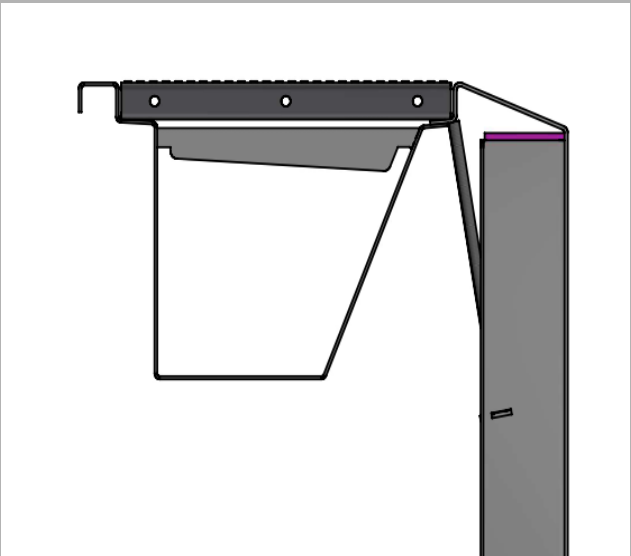
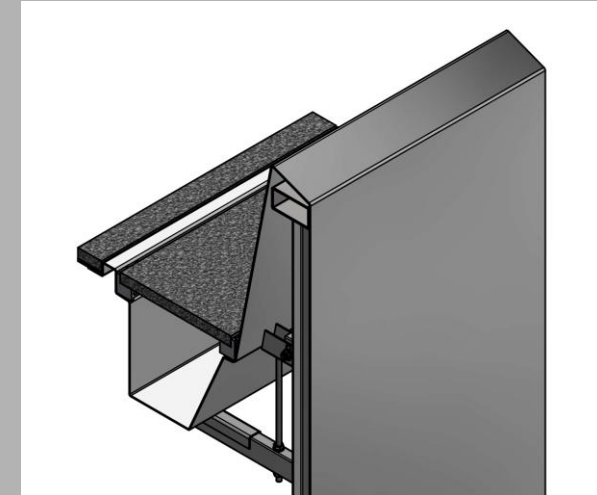
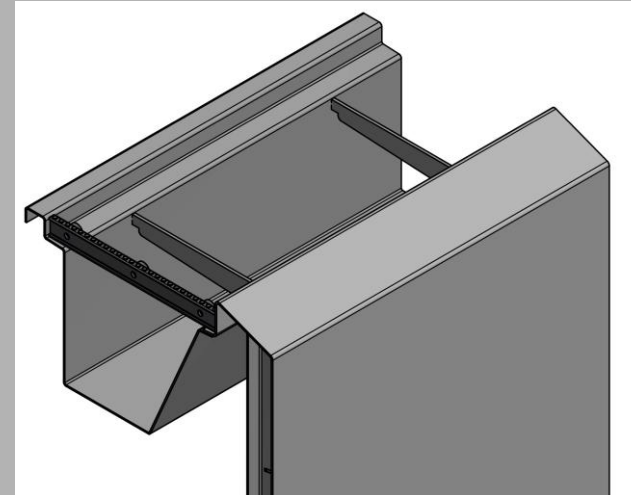
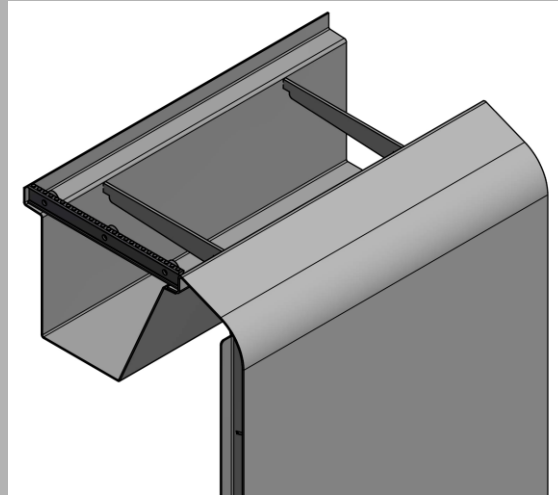
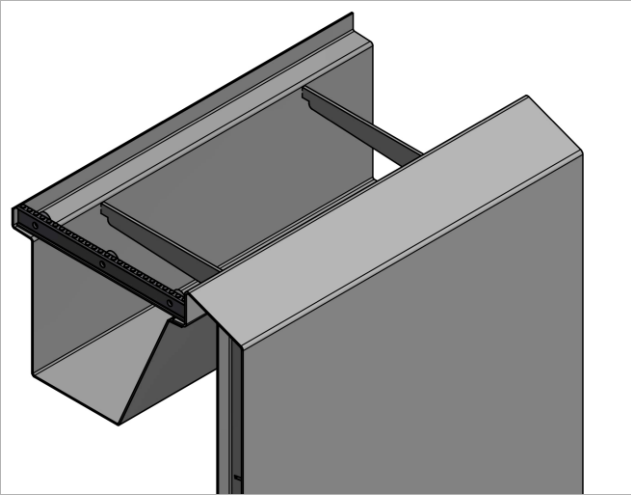
straight
(floor cover above)

slant
(floor cover afterwards)

round
(floor cover afterwards)

Wavereflection
(floor cover above)

Individual ending (overflow)



slant

round

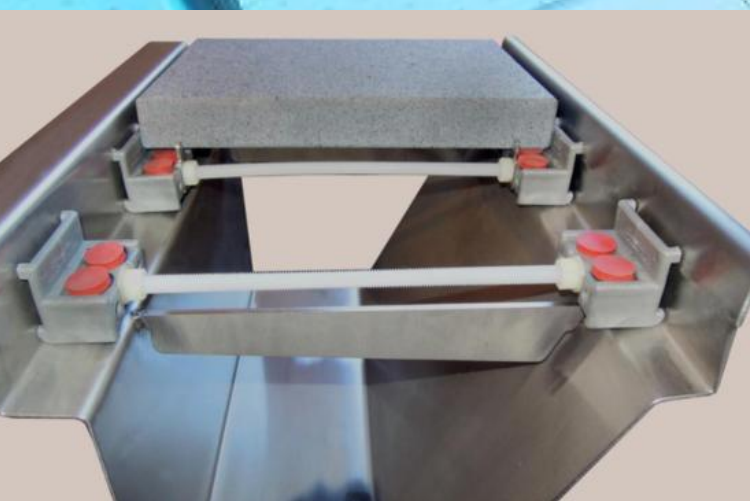
slant
(with grip edge)

Infinity
(water curtain)



Overflow channel covered with stone

- ✓ flexible and individual
- ✓ Minimal punctual support on stainless steel
- ✓ Easy to take out for cleaning
- ✓ holders for permanent and constant, uniform Spaces



Pool-cover bench (foldable)

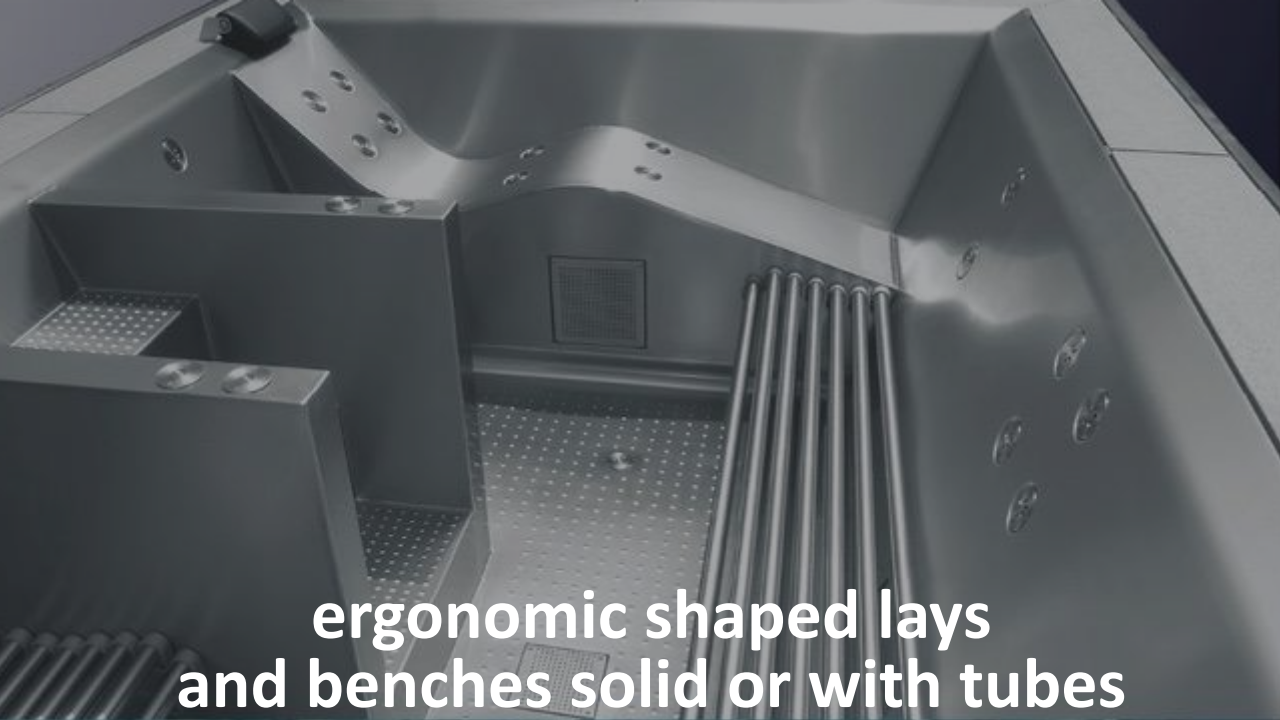
- ✓ Easy and also underwater revisable
(2 secure screws)
- ✓ Front cover without visible screws
(excluding combination with air-bubbles)
- ✓ Front covers easy to takeout on folded up
bench





Flush fitting ending in the pool walls of all Gassner built-in components





**ergonomic shaped lays
and benches solid or with tubes**



air-bubble nozzle



floor bubbles



countercurrent system

SEE THE DIFFERENCE



GASSNER

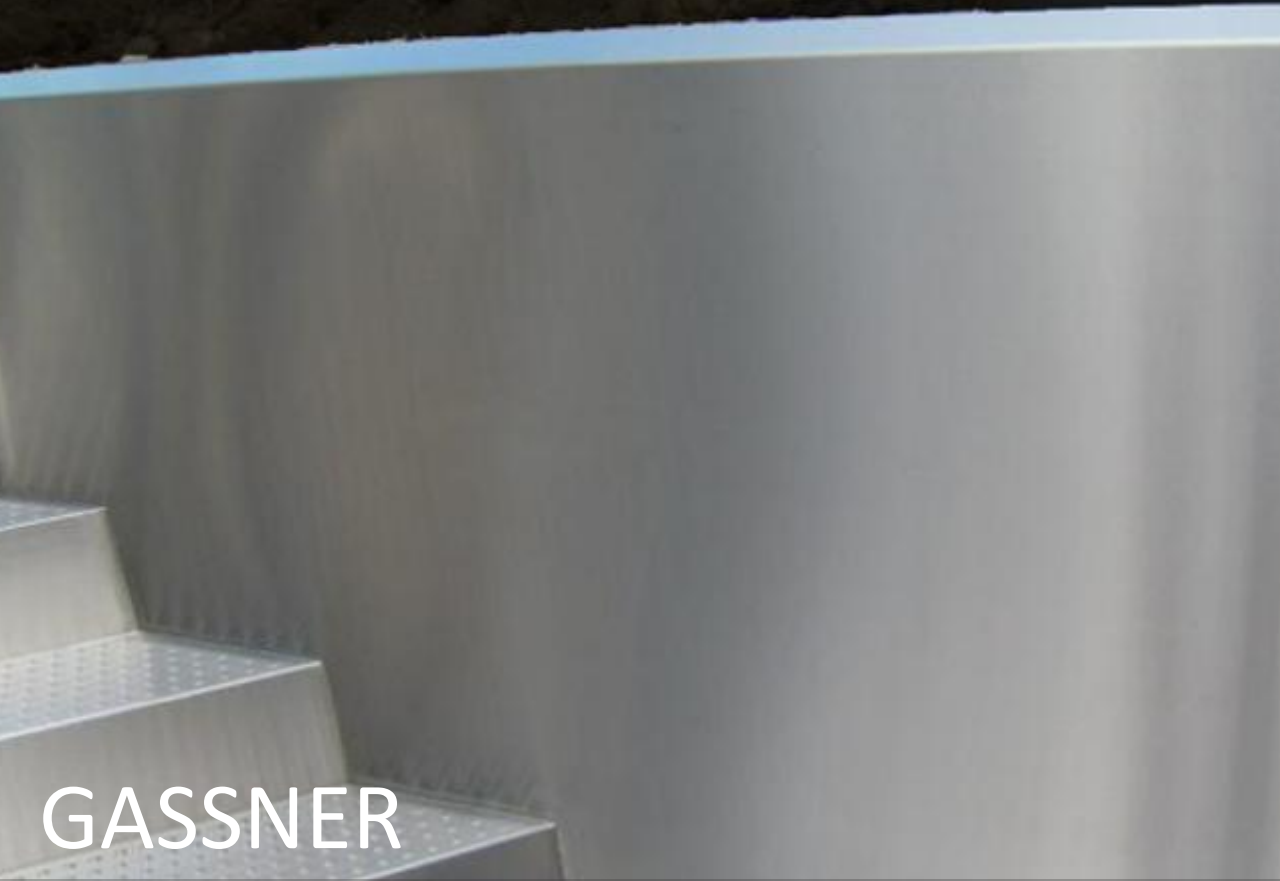
- ✓ Very high water level
- ✓ Skimmer-dirt-basket removeable from water side
- ✓ no revisions on the floor cover outside the pool
- ✓ Different endings, also on skimmer pools



competitors

- ✓ Very low water level in cause of built-in skimmers
- ✓ revisions outside of the pool
- ✓ Top edge ending only with 90° on skimmer pools

SEE THE DIFFERENCE



GASSNER

- ✓ Pool walls almost without visible welds thanks to sophisticated assembly technology
- ✓ Walls and floor elements are glued together with XPS-Insulation plates (max. flatness).
- ✓ Insulation as standard with 6 cm XPS on floors and walls



competitors

- ✓ No round transition between floor and wall (dirt edge)
- ✓ Welding from the backside of the walls visible through high temperature during welding process

SEE THE DIFFERENCE

competitors (public pool of Steyr, Austria)

- ✓ Using of ready-nubbed stainless steel sheets
- ✓ No brushed material
- ✓ Partially cut nubs

- ✓ No uniform distances to walls and stairs
- ✓ Sloppy workmanship

GASSNER.
STAINLESS LUXURY IN POOL

PERFECT MIRROR
POOL.

PERFECT
MOMENT.

BOUNDLESS

EXPANSE.

The pool edging, designed with a linear perspective, creates an unprecedented, calm, and smooth reflection of the water's surface, crafting a breathtaking world of relaxation – right in your own garden.

Designed as a one-piece basin, the Mirror Pool impresses with its short construction and delivery time. With a variety of attractive product packages available, each can be customized to meet your individual needs.

CLEAR LINES
AND COMPLETED
PERFECTION.



PERFECT MIRROR POOL.



MIRROR POOL

MODELS.

MIRROR POOL ONE

One-piece pool | Size: 6 × 3 m

- Stairs with podium
- 1x pool light (single color - white)

MIRROR POOL ONE PLUS

One-piece pool | Size: 6 × 3 m

- Stairs with podium
- 2x pool light (single color - white)
- Foldable bench with covers for pool cover preparation "ECOVA by BWT"

MIRROR POOL PERFORMANCE

One-piece pool | Size: 7.5 × 3 m

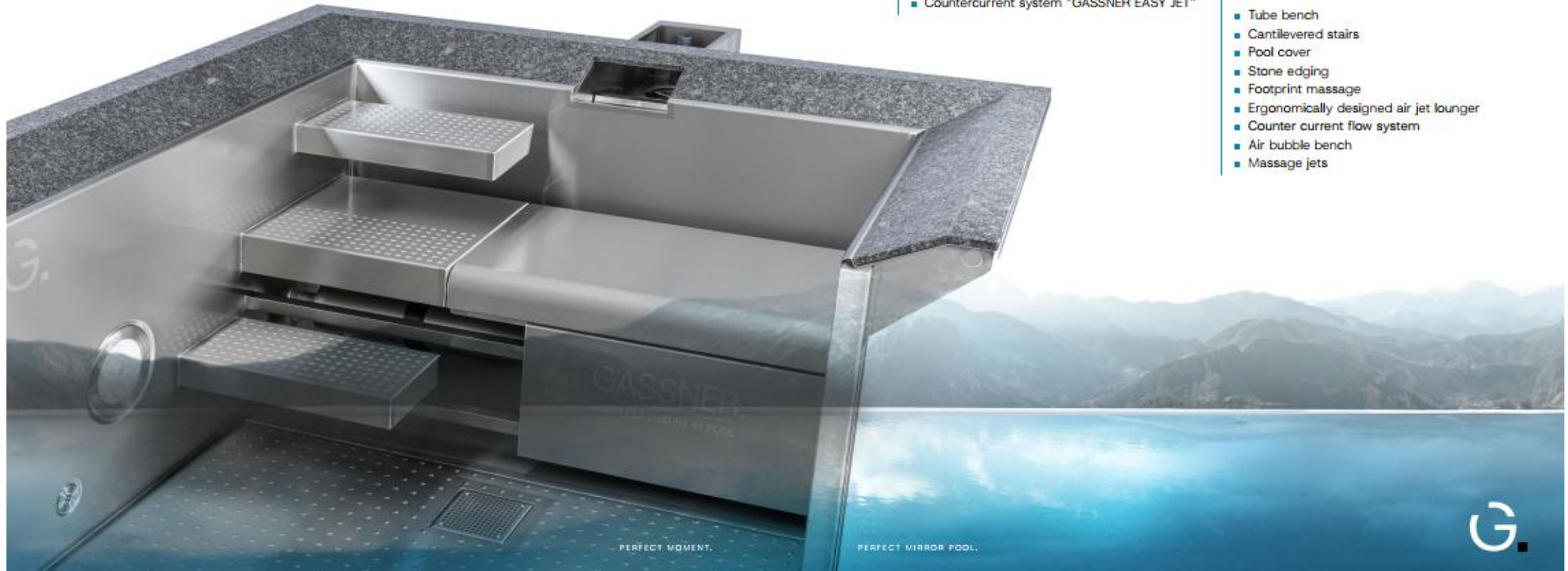
- Cantilevered stairs with podium
- 2x pool light (LED RGB)
- Foldable bench with covers for pool cover preparation "ECOVA by BWT"
- Countercurrent system "GASSNER EASY JET"

MIRROR POOL CUSTOMIZED

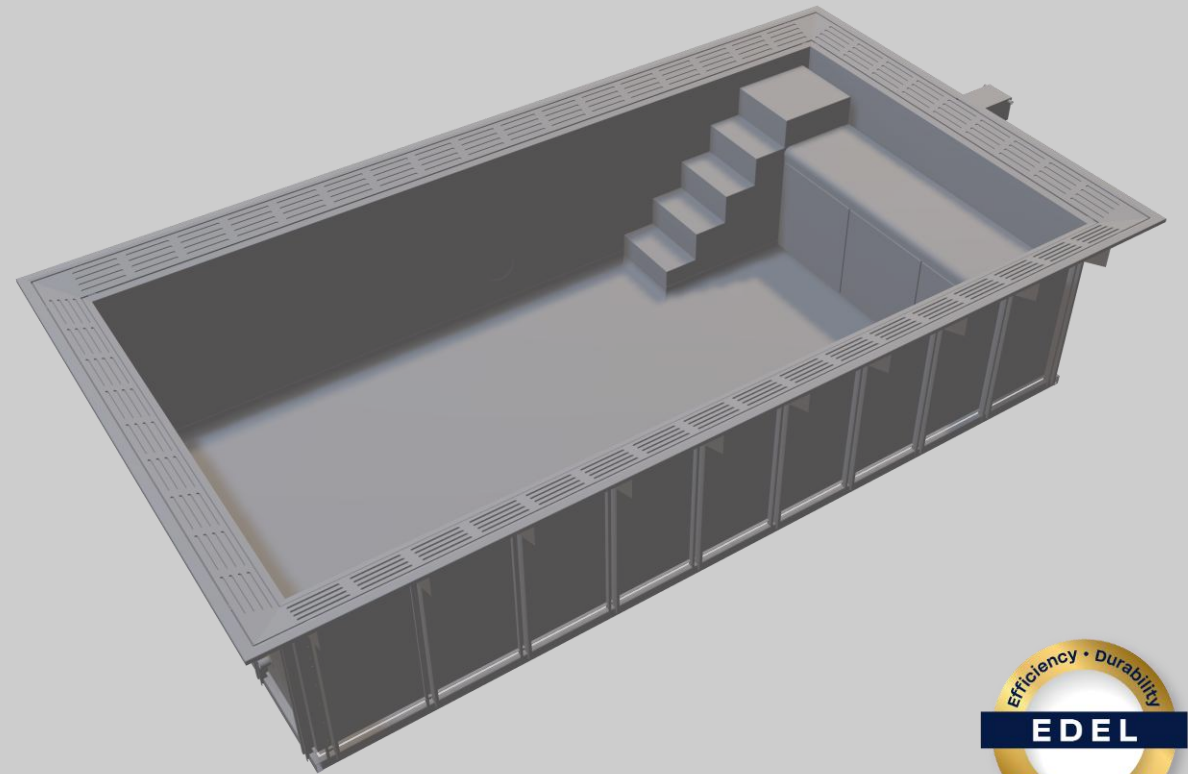
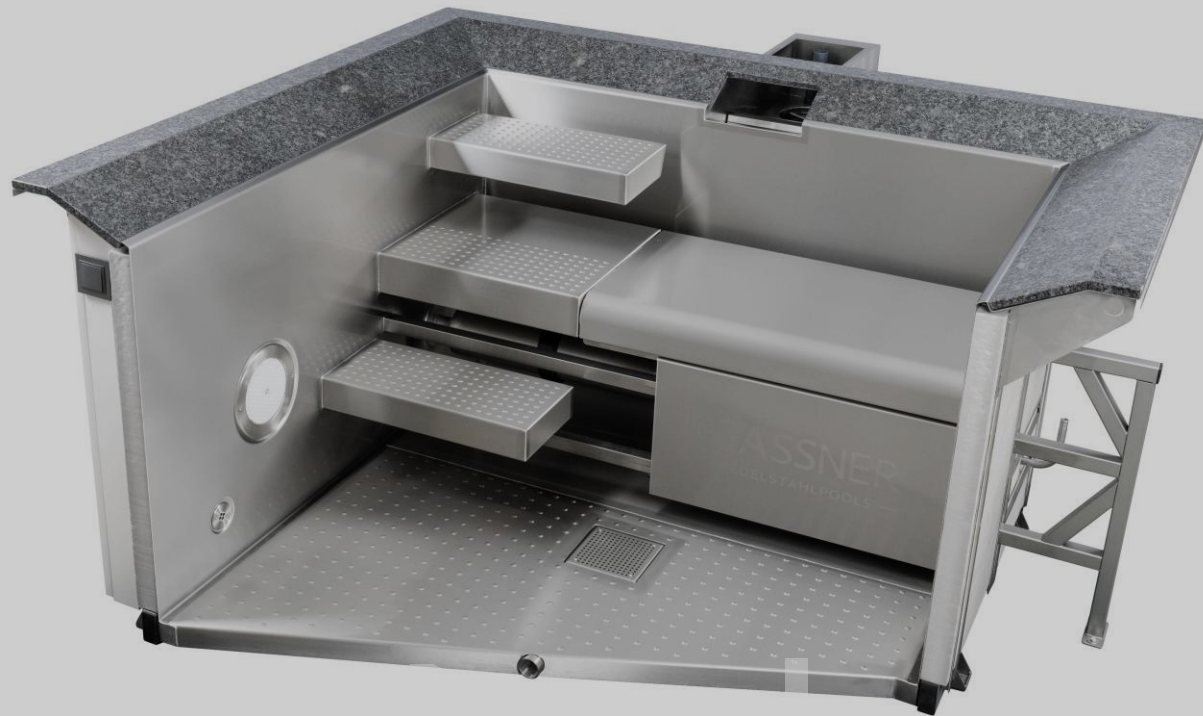
The BWT GASSNER Mirror Pool Customized fulfills every desire and can be tailored to your individual dimensions and features.

The following combinable features are available:

- Tube bench
- Cantilevered stairs
- Pool cover
- Stone edging
- Footprint massage
- Ergonomically designed air jet lounger
- Counter current flow system
- Air bubble bench
- Massage jets



MIRROR POOL



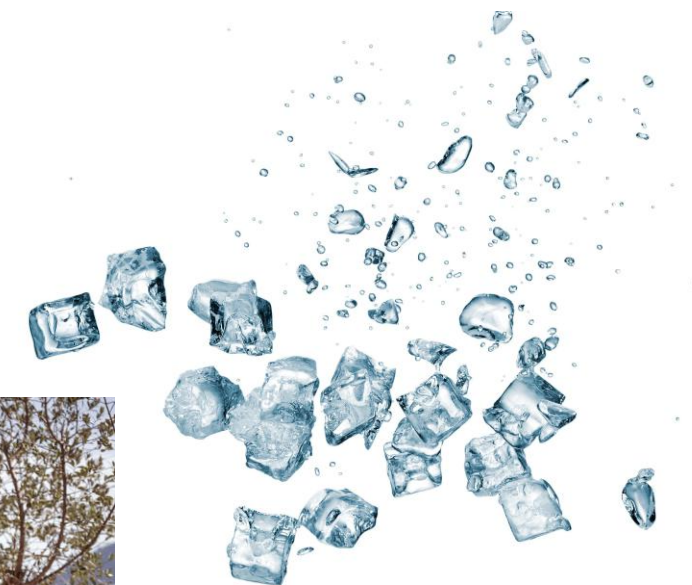
ICE MIRROR TUB

ICE MIRROR TUB

ICE BATHING AT THE HIGHEST LEVEL

ICE MIRROR TUB

- Ergonomically shaped stainless steel body
- Elegant natural stone surround
- Resistant real wood cladding
- High-quality thermal cover
- Advanced water treatment and technology
- Smart control via app
- Made in Austria



DETAILS

ICE MIRROR TUB without technical box:

- External dimensions: 2000 × 1160 × 670 mm
- Internal dimensions: 1640 × 800 × 560 mm
- Water volume: approx. 400 L
- Empty weight: 250 kg



ICE MIRROR TUB

Cooperation

Josef Köberl - an Austrian extreme athlete known for ice swimming and long-distance open-water swimming



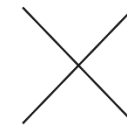
LASK - a professional football club from Linz, Austria



Falstaff LIVING DESIGN AWARD - „Innovation Made in Austria“



falstaff
LIVING
DESIGN
AWARDS 2025



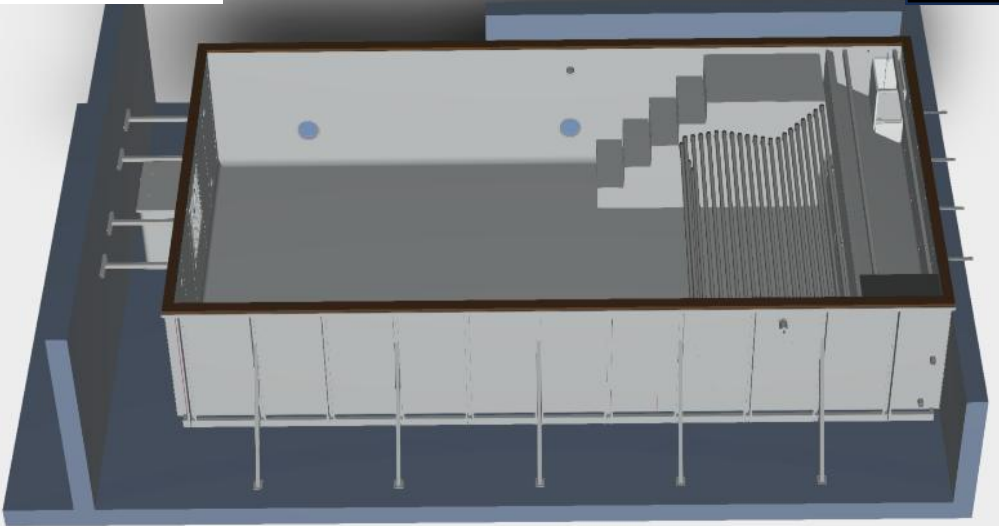
WKO Zertifizierter Lehrbetrieb
Wir bilden **Lehrlinge** aus.



GASSNER **BWT**
STAINLESS LUXURY IN POOL

**FOCUSED
INNOVATIVE
MODERN**

**AUTODESK®
INVENTOR®**



TRUMPF

POOLSYSTEMS ACCORDING TO REQUIREMENT



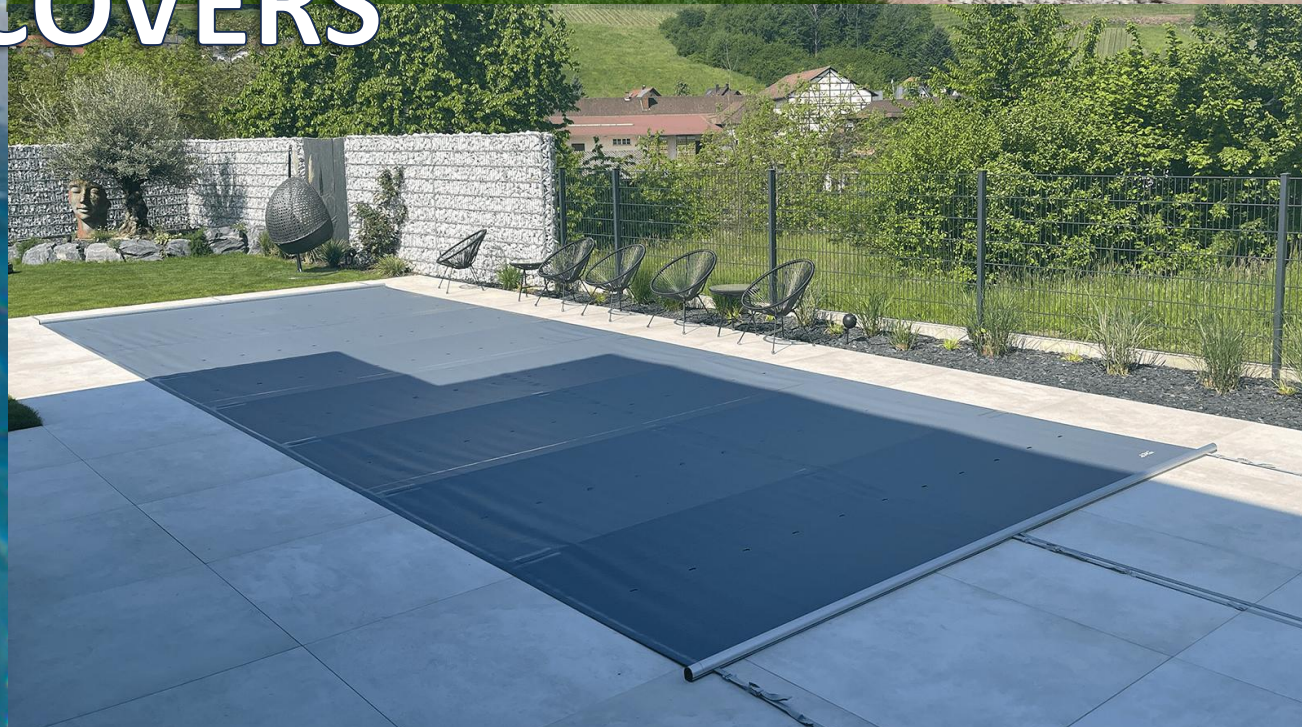
PRIVATE



PUBLIC

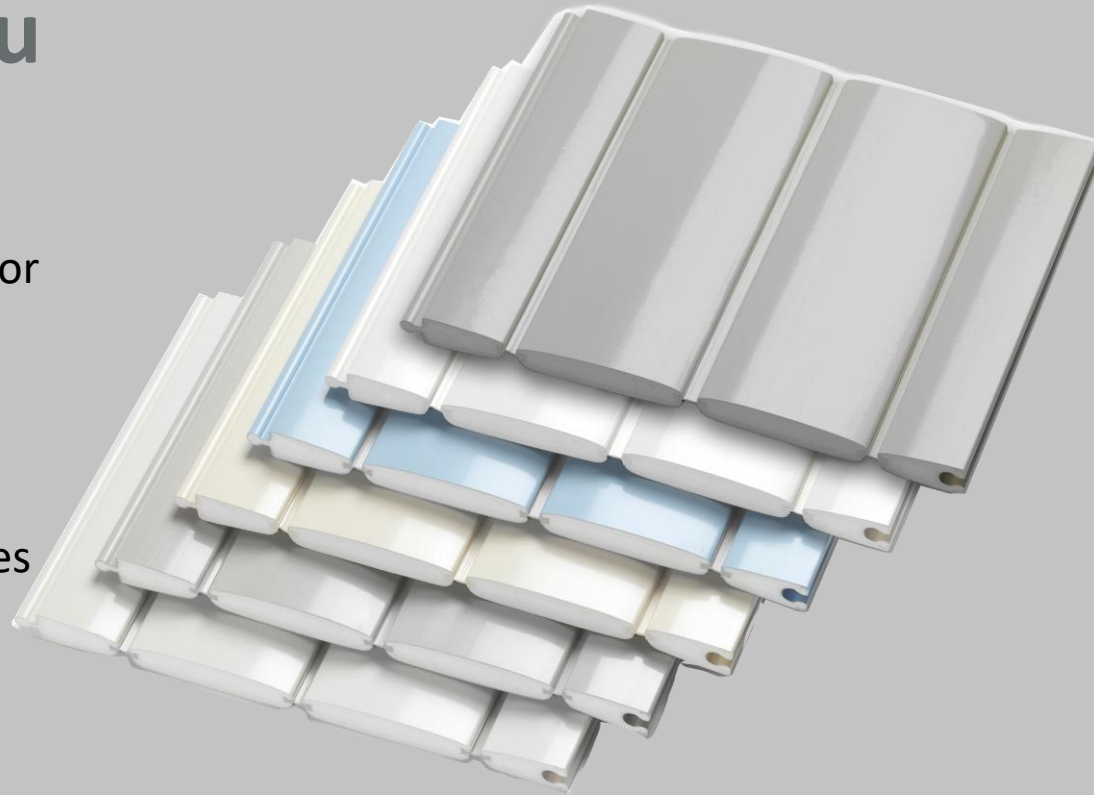


POOL COVERS



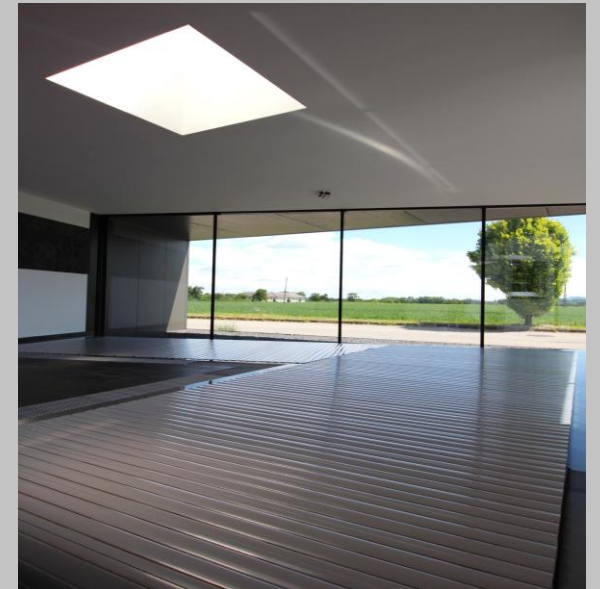
COVREX by Rehau

- ✓ foamed profile
- ✓ tongue-and-groove connection or PUR hinge (extrusion process)
- ✓ sophisticated design
- ✓ extraordinary material properties
- ✓ Imcomparably easy to clean



- ✓ foamed slats, no hollow chambers and endcaps
- ✓ weather-resistant, therefore all year usable (-20° - +70° C)
- ✓ very high hail resistance
- ✓ Suitable for unusual pool shapes
- ✓ well insulated

- ✓ closed, easy-to-clean surface
- ✓ high storm- & child safety in combination with patented PROTECTION SYSTEM
- ✓ individual cutting of profiles on Installation on site – picture
- ✓ Saving of swimming pool chemistry and heating costs up to 80%





Unique child safety in combination with patented PROTECTION SYSTEM and integrated handrails in the pool



Protection System

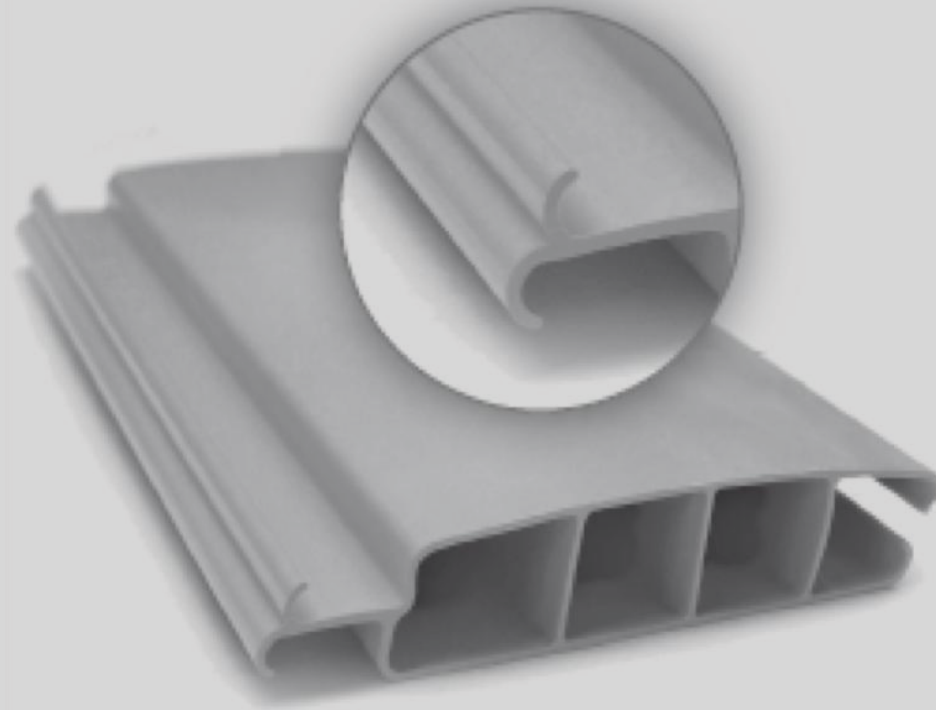
- ✓ Form-fitting screwed plastic half shells
- ✓ Available in the fitting colors to COVREX by Rehau profiles
- ✓ Tensioning using a belt and ground anchor
- ✓ High child and storm safety



Hollow chamber profiles of PVC and PC

Hollow chamber profiles made out of PVC or PC are characterized by their sophisticated design, regardless of the material.

Each slat is manufactured using the extrusion process.



Each slat with dimensions of 60 x 14 mm has three hollow chambers and with a double hook system, which lock into each other, which creates a solid pool cover

Hollow chamber profiles

PVC

- ✓ Cost-effective alternative
- ✓ Proven system for decades
- ✓ In the colors:
 - solar
 - transparent
 - white
 - grey,
 - ivory
 - light blue
 - dark blue



PC

- ✓ Very impact-resistant
- ✓ Temperature-resistant up to 120°C
- ✓ Largely hail-proof up to grain size 30 mm
- ✓ In the colors:
 - solar
 - transparent,
 - light blue-transparent,
 - dark blue-transparent,
 - green-transparent,
 - silber-transparent,
 - silber-solar

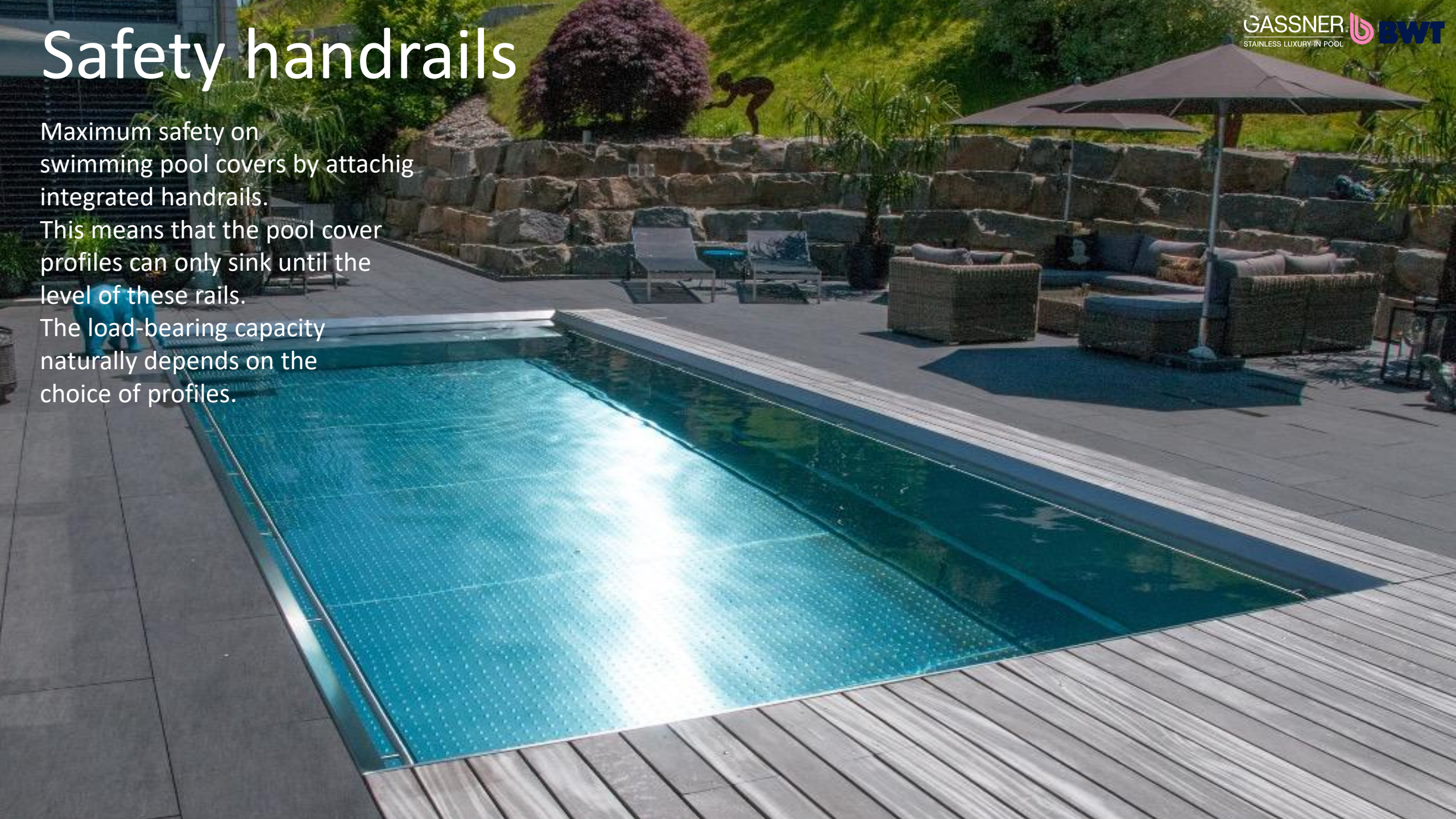


Safety handrails

Maximum safety on swimming pool covers by attaching integrated handrails.

This means that the pool cover profiles can only sink until the level of these rails.

The load-bearing capacity naturally depends on the choice of profiles.



Pool enclosures from our partner

GASSNER.  BWT
STAINLESS LUXURY IN POOL



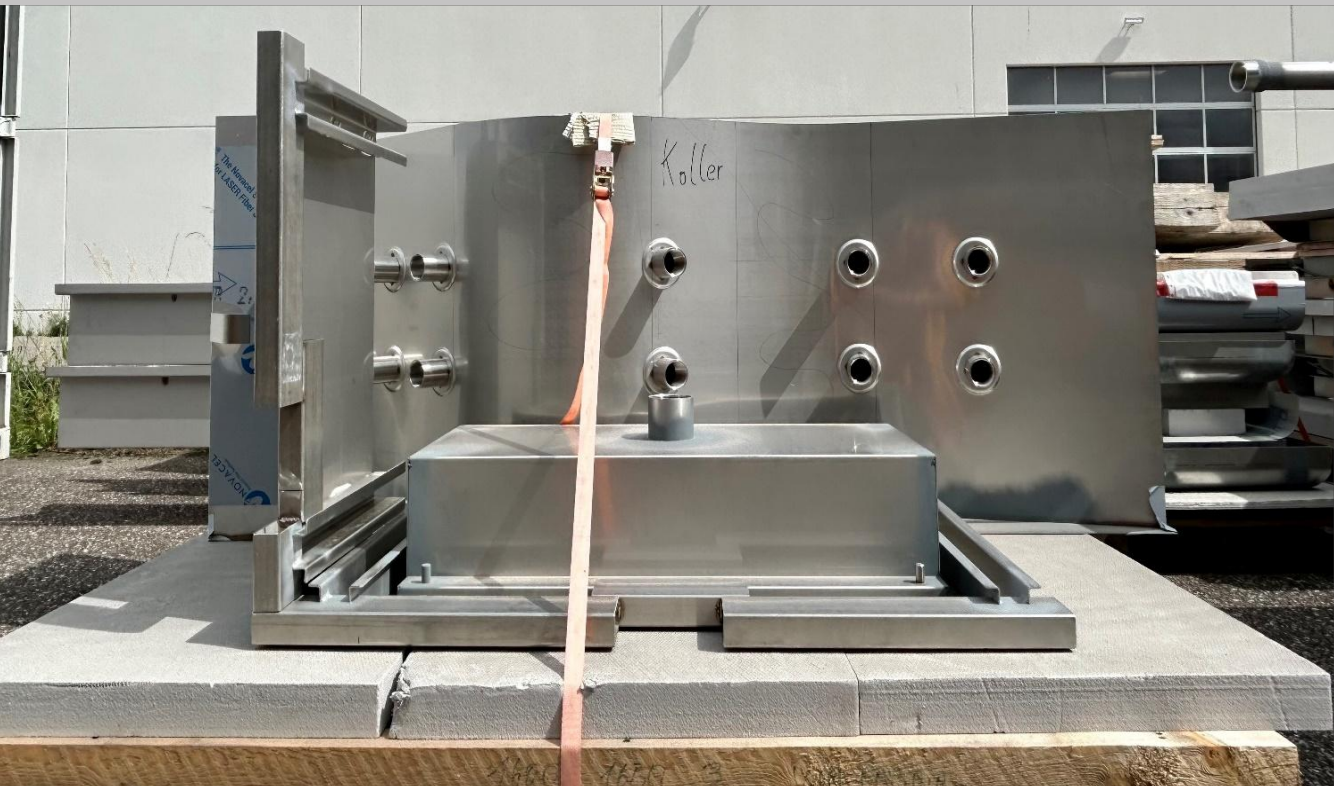


ONE-PIECE-POOL

- Skimmerpool up to a max inner width of 3,4 m
- Fast installation on site (1-2 working days)



TRANSPORT IN PARTS



- Extremely high degree of prefabrication (unmatched in the industry)
- Tailored to the situation on site

POOL MOMENTS PUBLIC















„DAS EDELWEISS“ Salzburg Mountain Resort at Großarl (AT)







Seegasthof „Hois´n Wirt“ at Gmunden (AT)













4 Star-Superior Hotel „CORTISEN“ at St. Wolfgang (AT)



„Studio963“ Chalet at Mühlbach/Hochkönig (AT)



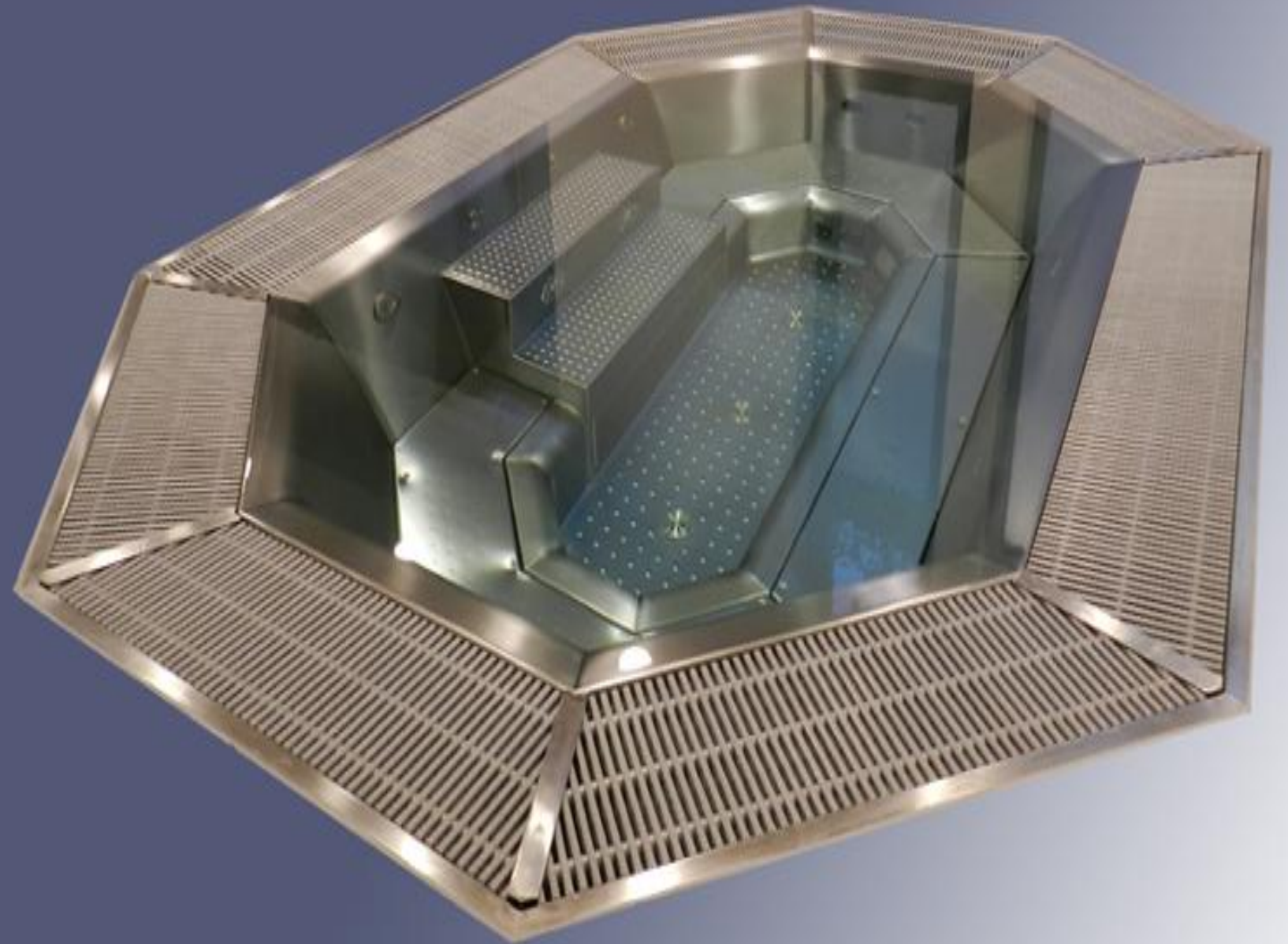




Fitnessstudio „Elements Siemensallee“ at Munich (DE)

in cooperation with RE-HE Schwimmbadbau











Hotel „Das Bachgut – Resort am Berg“ at Hinterglemm (AT)
in cooperation with Wieser + Scherrer Zeller Hautechnik



POOL MOMENTS PRIVATE

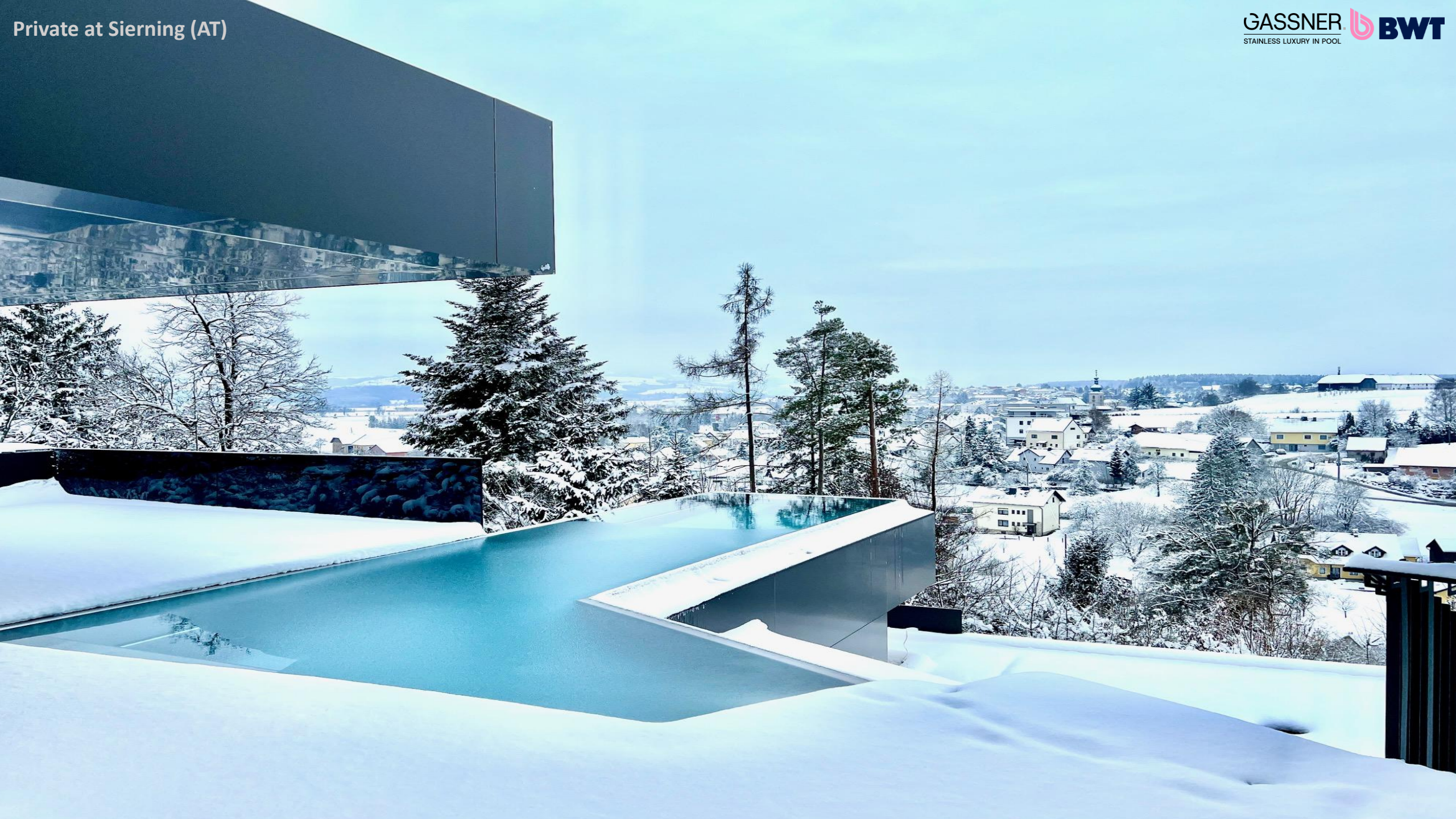
















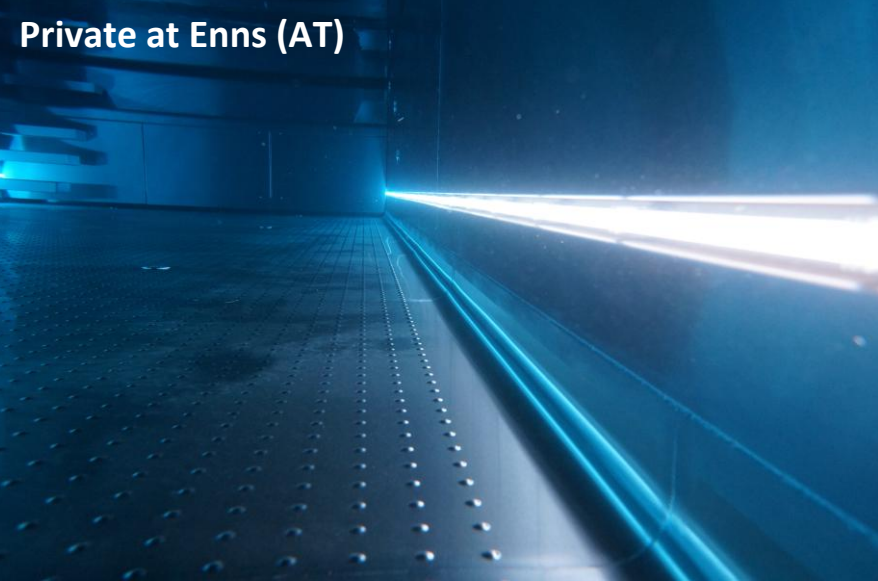




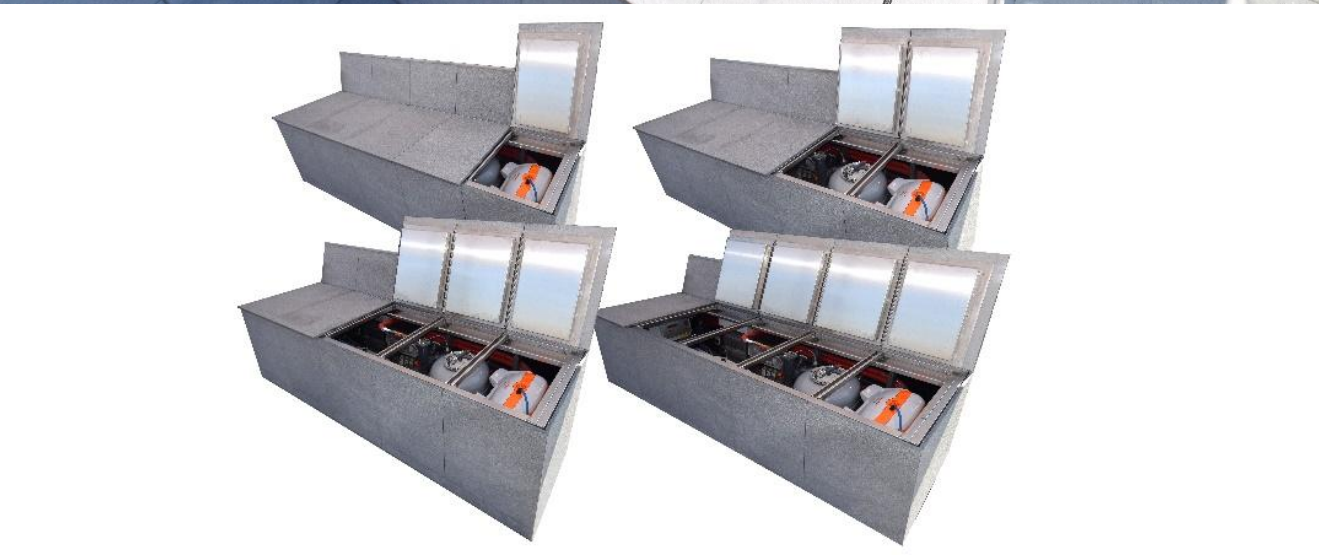


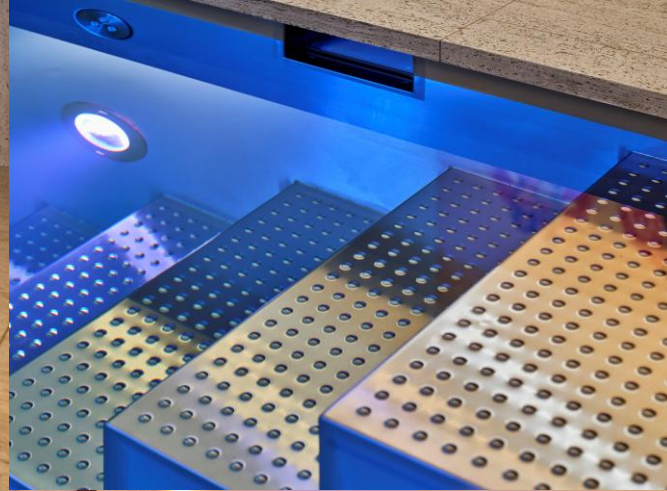














Private (CH)

in cooperation with Vita Bad

GASSNER.  BWT
STAINLESS LUXURY IN POOL





Private (CH)

in cooperation with Vita Bad

GASSNER  BWT
STAINLESS LUXURY IN POOL



Private (CH)

in cooperation with Vivell + Co

GASSNER  BWT
STAINLESS LUXURY IN POOL













SHOWROOMS



GASSNER – SIERNING (AT)



POOL & WELLNESS CITY – GERASDORF (AT)



HOF – MONDSEE (AT)